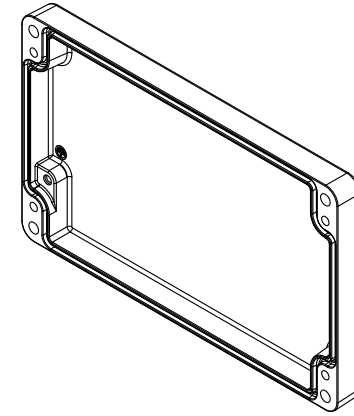
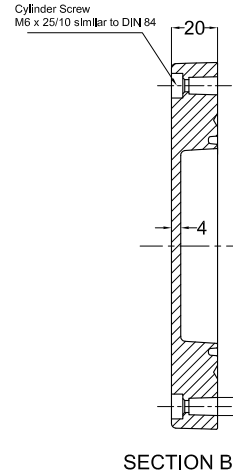
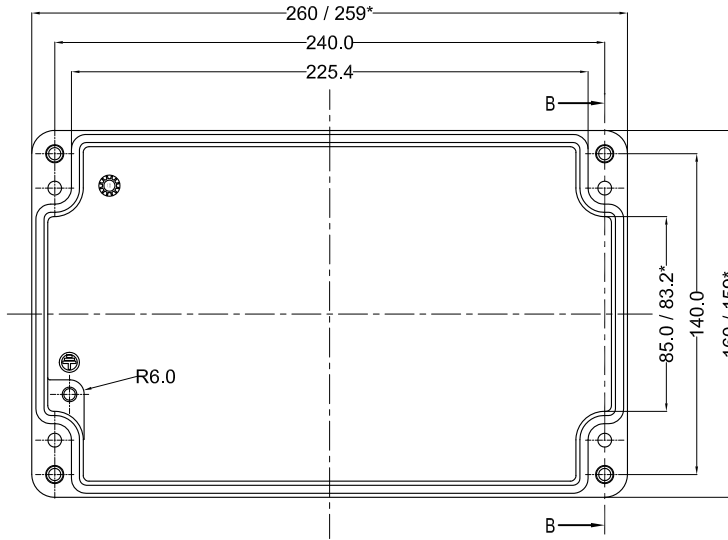
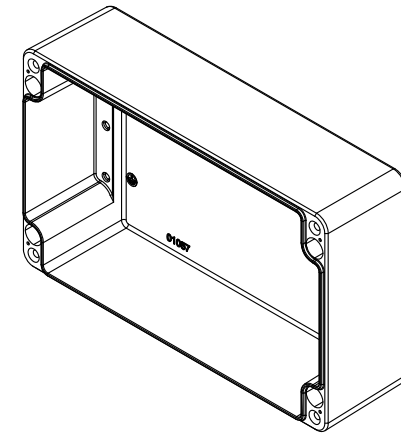
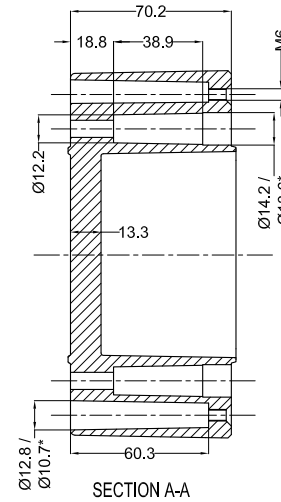
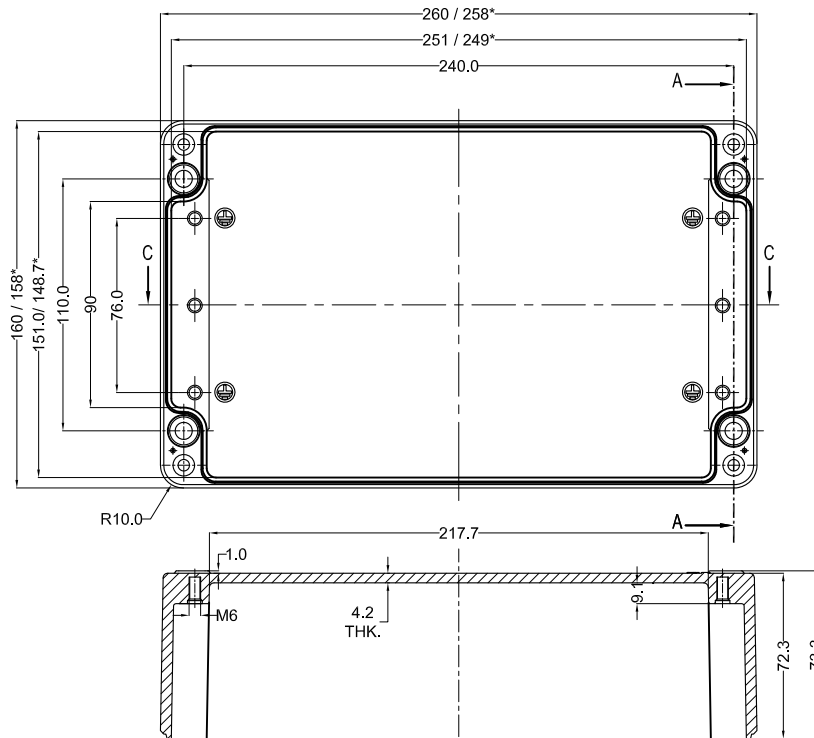


* = Conical form tapering downward.
 Untoleranced dimensions per GTA 13/5 DIN 1688

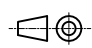
LID



BASE



SECTION C-C

QUANTITY 1	MATERIAL :- AISI12 DIN230	MACH.NAME -	DATE 08-06-12	SIGN MANOJ	NAME DRAWN
 TOLERANCE ±0.2 DIMENSIONS ±0.2 HOLES ±1.0° ANGLES	WEIGHT: - FINISH: NATURAL	TITLE :- JUNCTION BOX 260 x 160 x 90	08-06-12	PAVAN	CHECKED
				S.D.	APPROVED
		SCALE	PARTNO. 0		
		REV	DRG. NO. 0		
		Raychem RPG (P) Limited Ceat Mahal Annexe, Dr. Annie Besant Road, Worli, Mumbai 400030 Web : www.raychemrpg.com			
		AJB-26016090			

PROPERTY OF RaychemRPG (P) LTD.
 ALL RIGHTS RESERVED AND/OR PHOTOCOPYING THIS DOCUMENT
 TO A PERSON WITHOUT RaychemRPG (P) LTD. WRITTEN AUTHORIZATION IS PROHIBITED